

# ELEGOO MERCURY XS BUNDLE

## Operations Guide

---

ELEGOO

## Thank you for purchasing ELEGOO MERCURY XS BUNDLE

---

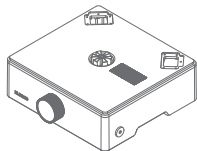
Please unbox and inspect the machine upon receiving it.  
If you have any questions regarding the machine,  
Please contact us at [3dp@elegoo.com](mailto:3dp@elegoo.com) facebook, or Instagram.

Please read the instruction carefully before you use the machine.

Multiple language instructions and software are available  
to download from [www.elegoo.com/download](http://www.elegoo.com/download).

**ELEGOO**

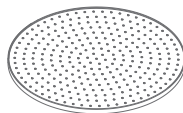
## Package List



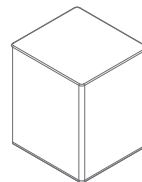
**Main Body**



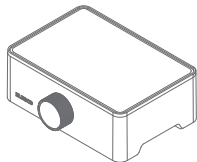
**Curing Light**



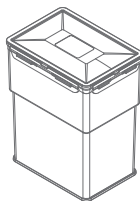
**Curing Turntable**



**Anti-UV Lid**



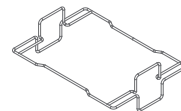
**Main Body**



**Cleaning Bucket**



**Cleaning Basket**



**Cleaning Basket Bracket**



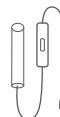
**Adapter**



**Tools**



**Manual**



**Handheld UV Lamp**



**Safety Goggles**

## MERCURY X WASH Basic Parameters

Machine Name: ELEGOO MERCURY X WASH

Time Setting: 0-30mins

Control Mode: knob and button control

Rated Power: 12W

Input Voltage: 100V-240V 50/60Hz

Machine Dimensions: 255mm\*155mm\*385.5mm

Machine Net Weight: 2.27kg

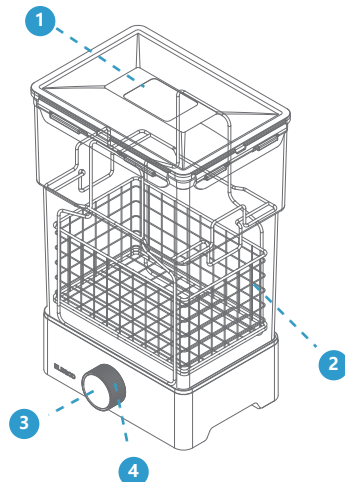
Cleaning Time Setting:

For model with a diameter less than or equal to 30mm, it is recommended to clean the model for 1 minute. And if the surface of the model is complex, it is recommended to increase the cleaning time appropriately.

Maximum Cleaning Volume:

180mm\*121mm\*153mm(Cleaning with platform)

201mm\*124mm\*255mm(Cleaning without platform)



1 Cleaning Bucket

2 Cleaning Basket

3 Display Screen  
On/Off Button

4 Rotary Button For  
Time Setting

## MERCURY XS CURE Basic Parameters

Machine Name: ELEGOO MERCURY XS CURE

Timing: 0-30mins

Control Mode: knob and button control

Rated Power: 36W

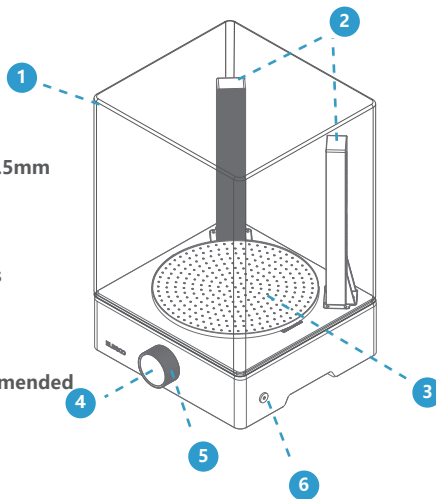
Input Power: 100V-240V 50/60Hz

Machine Dimensions: 246mm\*230mm\*363.5mm

Machine Net Weight: 2.4kg

**Curing Time:** For model with a diameter less than or equal to 30mm, it is recommended to cure the model for 2 minutes. And if the surface of the model is complex, it is recommended to increase the curing time appropriately.

**Maximum Curing Size:**  $\Phi$ 200mm\*260mm



1 Anti-UV Lid

2 Curing Light

3 Curing Turntable

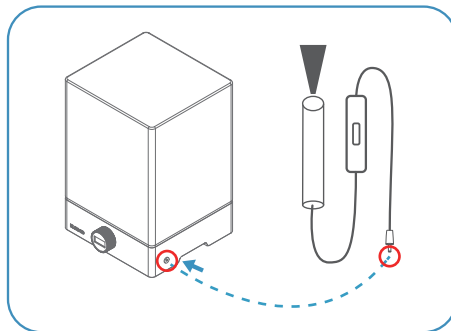
4 Display Screen On/  
Off Button

5 Rotary Button For  
Time Setting

6 Handheld UV Lamp  
DC Power Jack Socket

## MERCURY XS HANDHELD UV LAMP Basic Parameters

Control Mode: mechanical switch control  
Size:  $\Phi 12\text{mm} \times 65\text{mm}$  (cable length 1000mm)  
Recommended Distance Range: 20-60mm  
Lamp Bead Specifications: 405nm  
Weight: 43g  
Rated Power: 0.65W



### Instructions:

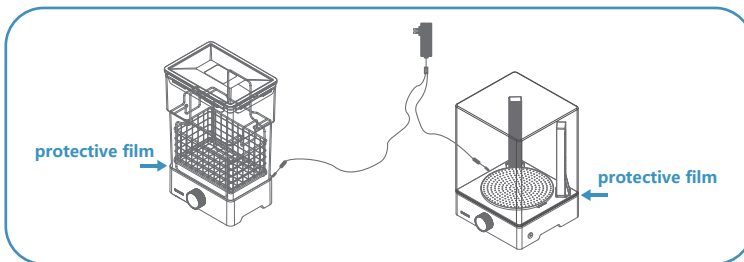
The handheld UV lamp is ideal for curing assembled models, which ensures seamless assembly of the entire print, and effectively curing the interior of 3D printed parts or nooks and crannies to improve the curing quality of the model.

### Notice:

1. The handheld UV lamp needs to be plugged into the interface on the right side of the machine (Make sure the switch is turned off before plugging). After plugging in, press the switch to light up the lamp for use.
2. Do not stare directly at the ultraviolet rays during use, and be sure to wear safety goggles.
3. Do not irradiate the same place of the model for a long time to prevent excessive curing (The curing can be completed when the model surface is dry and not sticky).
4. The continuous use time shall not exceed 15min. It is normal for the curing lamp to heat up slightly during continuous use. You can stop using first and let it cool down before reusing.

## MERCURY XS BUNDLE Operating Instructions

MERCURY X WASH and MERCURY XS CURE can work at the same time through the dedicated adapter that comes with the machine, and the operation mode of the two machines is the same. Please take off the blue protective film on the decoration belt of the machine before use.

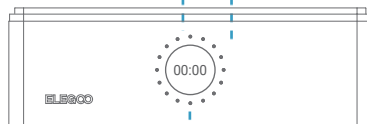


### Rotary button for time setting:

Clockwise rotation to increase the time, counterclockwise rotation to decrease the time, and the maximum time is 30 minutes.

### Indicative light ring:

The light ring flashes when the power is on, and after setting the time, the light will gradually go out as the screen time counts down.



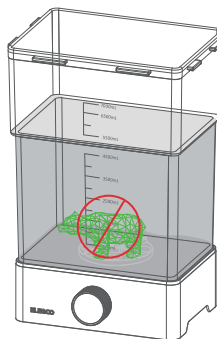
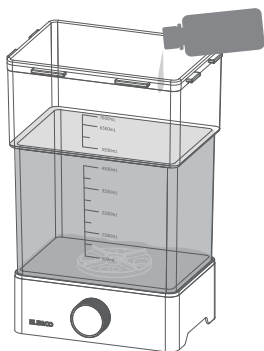
### Display screen on/off button:

Long press the screen for 3s to turn on or turn off the screen, press the screen briefly to start or pause. After setting the time, the screen will display the time you set, and when the machine starts working, the time displayed on the screen will start counting down from the time you set until it goes to zero.

## MERCURY X WASH Operating Instructions

MERCURY X WASH is designed for cleaning printed models. Please turn on the power first and then long press the button to start the machine.

1. Open the sealing lid of the cleaning bucket, add an appropriate amount of washing liquid (the washing liquid can exceed the model and the height of the washing liquid must not exceed the maximum scale), then place the cleaning bucket in the positioning slot on the machine platform.
2. Please submerge the model in a suitable way in the washing liquid of the cleaning bucket. (It is forbidden to put the model directly into the cleaning bucket for cleaning, otherwise, the model and the parts of the cleaning bucket will be damaged.)



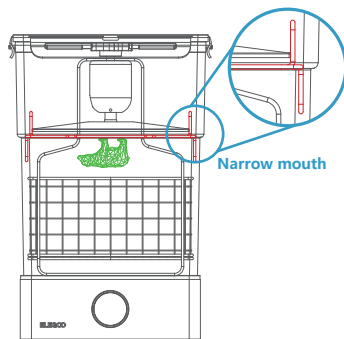


## MERCURY X WASH Operating Instructions

a: When the model is within the size of 180mm\*121mm\*153mm, you can wash the model with build platform. First remove the lid of the cleaning bucket, put the cleaning basket into the cleaning bucket, and then set the cleaning basket bracket into the cleaning basket until it stuck at the bending point of the cleaning basket, and then place the model with platform upon the bracket, (**Be careful not to bump the model during placement.**) and finally seal the lid.

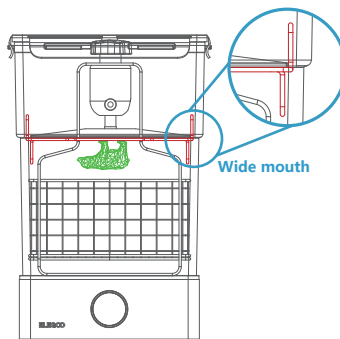
(The Mercury X Wash machine supports **MARS2 series** and **MARS3** models with platform cleaning, but it is necessary to remove the cleaning basket and use only the cleaning basket holder to clamp the platform, besides, two platforms can be cleaned simultaneously.

**However, it should be noted that since there is no restrictive measure for the Mars series build plate, the platform is easy to fall when placed unstably, so it is best to remove the model and put it in the cleaning basket for cleaning.)**



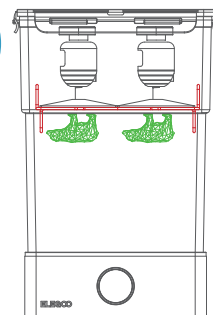
SATURN

(Use the narrow side of the bracket)



SATURN S

(Use the wide opening side of the bracket)

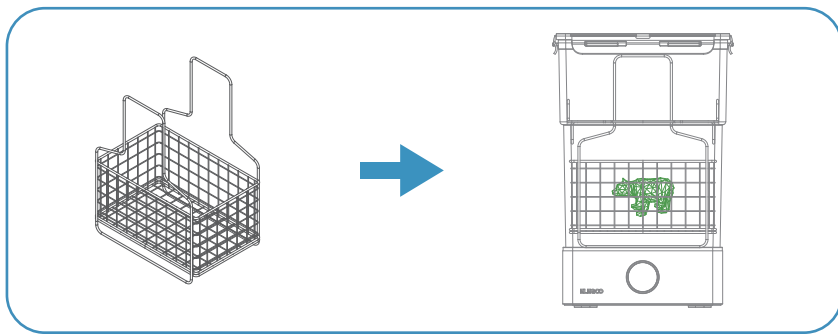


MARS 2 PRO

(Please note that the platform must be placed steadily)

## MERCURY X WASH Operating Instructions

b: When the model is out of the size of 180mm\*121mm\*153mm, then you should clean the model without build platform. Please remove the lid of the cleaning bucket first, put the cleaning basket into the cleaning bucket without the bracket, take the model off the platform directly and put it lightly into the cleaning basket, and finally seal the lid.(Please be sure that the model is placed as flat as possible in the cleaning basket to prevent the sharp corners of the model from going over the grid at the bottom of the cleaning basket and hitting the wheels).

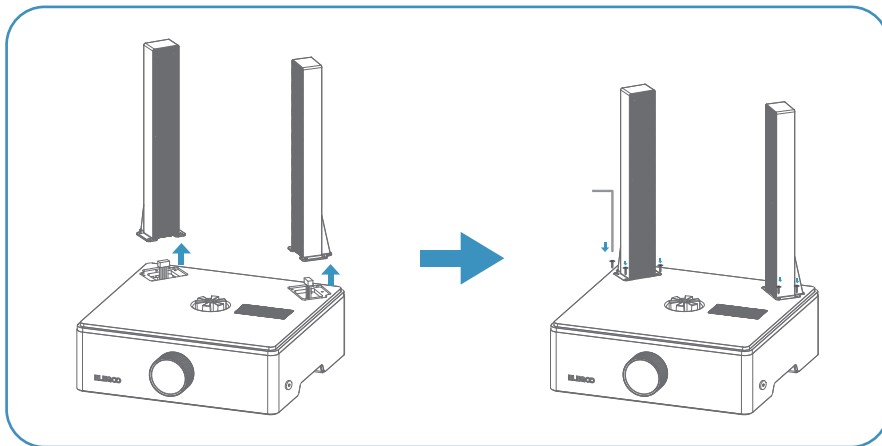


**3.** Turn the knob clockwise to set the cleaning time, and press the screen briefly to start cleaning the model.

**4.** The machine will beep when the cleaning is finished. Please take out the model for air-drying. After cleaning, please remove the cleaning bucket, take out the cleaning basket and cover the cleaning lid (the washing liquid can be used for several times). If the washing liquid spills on the machine body, please clean it up quickly to avoid short circuit caused by the washing liquid flowing into the machine body.

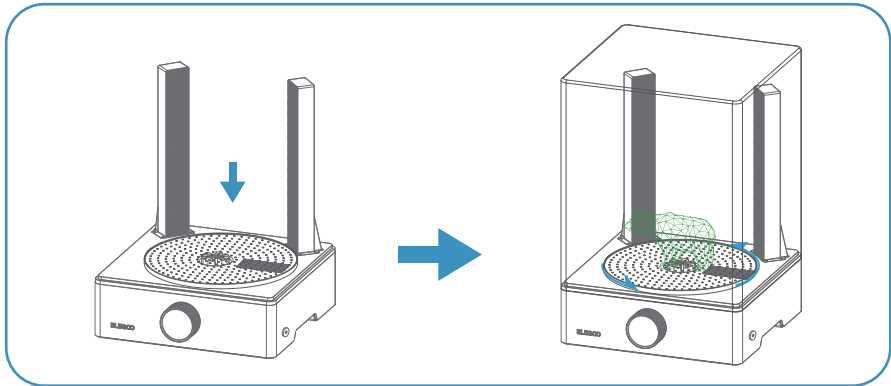
## MERCURY XS CURE Operating Instructions

MERCURY XS CURE is specially designed for curing the printed model. For the first use, you need to install the curing lights on the machine by using the tools supplied with the machine. First insert the terminal of the lead wire from the machine shell into the interface below the curing lights, put the extra wires into the machine, and finally use the tools and screws supplied with the machine to fix the two curing lights respectively to the recess of the machine shell. Then turn on the power and long press the button to start the machine.



## MERCURY XS CURE Operating Instructions

1. Align the curing turntable with the turntable positioning slot in the center of the body platform and place it tightly.
2. Place the air-dried model in the center of the curing turntable.

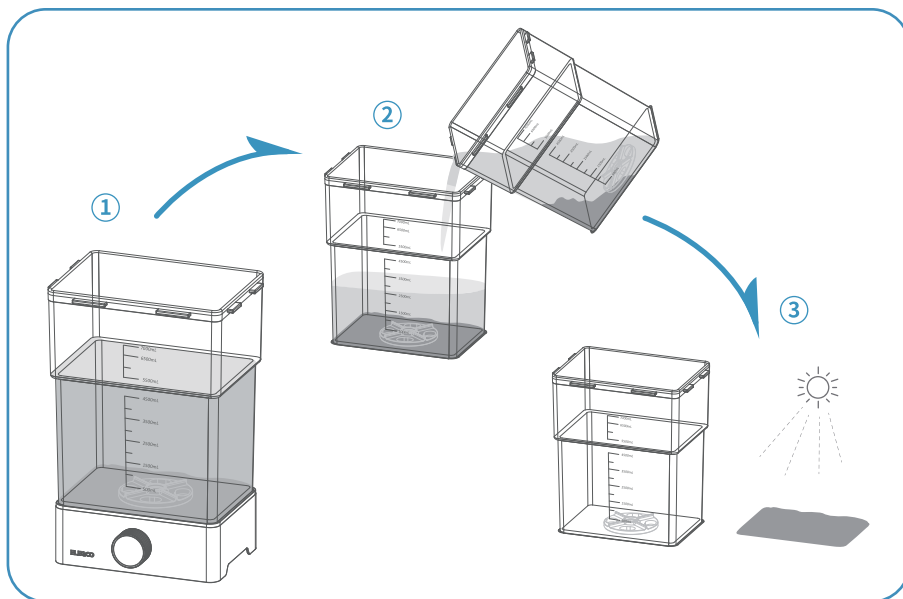


3. Put the anti-UV lid on. Turn the knob clockwise to set the curing time. Press the screen briefly to start curing the model. Due to the slow rotating speed of the turntable, there is slight shaking, which is a normal phenomenon.
4. The machine will beep when curing is completed.

## Machine Maintenance

### 1. Recycling of washing liquid

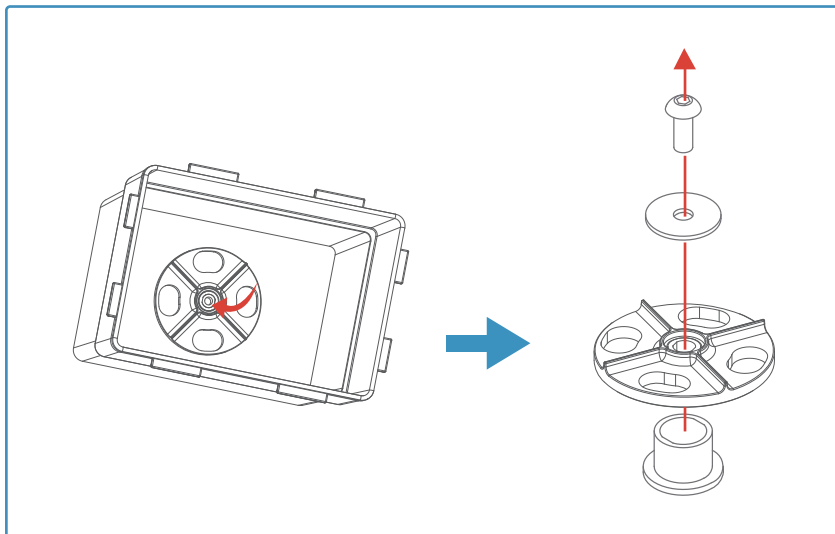
When the washing liquid in the bucket is reused more than 30 times, we need to filter and clean the waste. First, leave the washing liquid to stand for about 10 hours, and then after the waste has settled to the bottom of the cleaning bucket, pour the washing liquid on the upper layer of the bucket into another container, then clean the waste at the bottom of the bucket (the waste would be converted into ordinary solid waste in sunlight), if necessary, the bucket rotor can be removed for cleaning.



---

## 2. Clean the impeller of the cleaning bucket

After the cleaning bucket has been used for a period of time, the rotor at the bottom may rotate abnormally due to the sediment, then you can remove the rotor for cleaning.



## Cautions

---

**1. Please always keep in mind the following precautions when using the ELEGOO MERCURY X WASH machine. Failure to observe these precautions may result in damage to the machine or even cause personal injury.**

- 1** Please contact our customer service first to arrange replacement if any parts are found damaged or missing after receiving the products.
- 2** When using MERCURY X WASH, do not place the model directly in the cleaning bucket for cleaning. Please put the model in the cleaning basket for cleaning.
- 3** The cleaning bucket must be filled with cleaning liquid when the machine is running, otherwise the wave wheel will be stuck and may also lead to damage to the machine.
- 4** Please follow the safety regulations to use and store the washing liquid properly. The washing liquid should not exceed the maximum height of the cleaning bucket, otherwise, the washing liquid may overflow and cause damage to the machine. Please seal the cleaning bucket with the lid after using.
- 5** The ambient temperature of the ELEGOO MERCURY X WASH machine is recommended to be 0°C to 40°C, and the humidity is 20% to 50%.
- 6** Do not disassemble the ELEGOO MERCURY X WASH machine without consulting. Please contact ELEGOO customer service: [3dp@elegoo.com](mailto:3dp@elegoo.com) if you have any questions.

---

**2. Please always keep in mind the following precautions when using the ELEGOO MERCURY XS CURE machine. Failure to observe these precautions may result in damage to the machine or even cause personal injury.**

- 1 Please contact our customer service first to arrange replacement if any parts are found damaged or missing after receiving the products.**
- 2 Please wash and dry the model first before curing, otherwise, the model would be covered with some white residues, sticky and cracked.**
- 3 When the MERCURY XS CURE is running, do not take away the lid from the machine as to prevent potential hazards from the UV lights.**
- 4 After long-hour use of the MERCURY XS CURE machine, it is a normal phenomenon that the temperature of the machine body and the cover will rise.**
- 5 Please adjust the curing time appropriately if the model turns yellow after curing. Over curing will lead to the model yellowing.**
- 6 The ambient temperature of the ELEGOO MERCURY XS CURE machine is recommended to be 0°C to 40°C, and the humidity is 20% to 50%.**
- 7 Do not disassemble the ELEGOO MERCURY XS CURE machine without consulting. Please contact ELEGOO customer service: [3dp@elegoo.com](mailto:3dp@elegoo.com) if you have any questions.**



## FAQ

---

### 1. The MERCURY XS BUNDLE does not work:

Poor power supply contact. Please re-plug the power supply. The anti-UV lid is not covered. Try again after covering the lid.

### 2. The model turn white after washing and curing:

The concentration of alcohol is not enough when using the MERCURY X WASH machine. Please use alcohol with a concentration greater than 95% for cleaning.

The model is not air-dried before being cured by the MERCURY XS CURE machine. Please wait for the surface of the model to dry before curing.

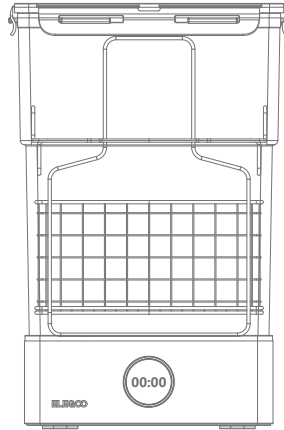
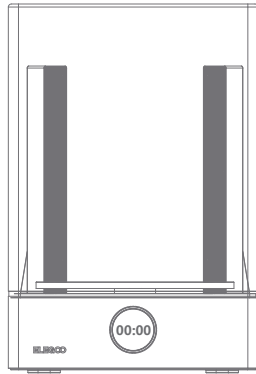
### 3. The rotor of the cleaning bucket does not rotate when the MERCURY X WASH machine is running:

The rotor might be caught by foreign matters. Please try again after taking the cleaning bucket down, pouring out the washing liquid, and removing the foreign matters.

There is too much precipitation in the washing liquid, please taking the cleaning bucket down first, and try again after cleaning the precipitation of the washing liquid or changing the washing liquid.

### 4. Abnormal sound occurs in the cleaning bucket when the MERCURY X WASH is running:

The screw of the rotor is loose during the washing process. Please tighten the screw with tools.



Email Support



Discussion Forums



Help Articles

ELEGOO.COM